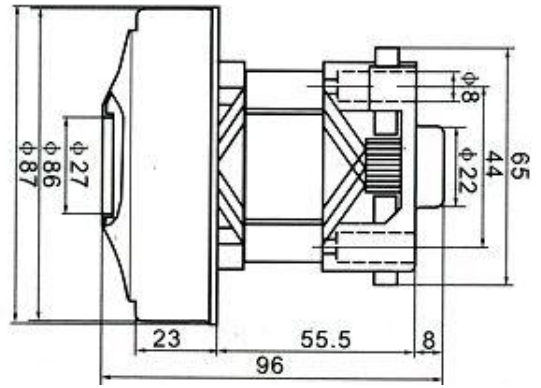
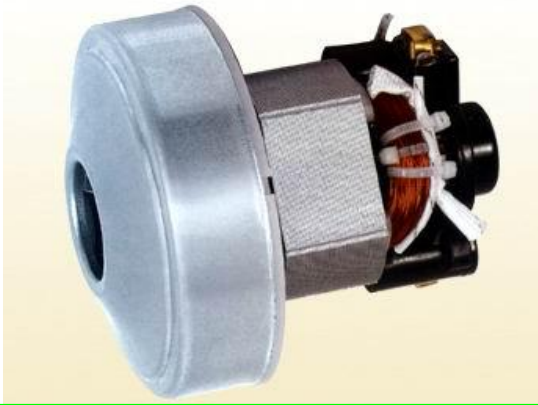
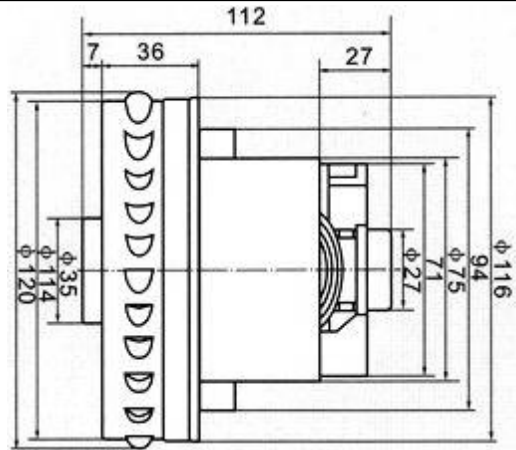


TW-87120 Vacuum Cleaner Motor

OUTPUT POWER:200~600 W (APPROX)



Specification	Model	TW-87	TW-87	Tolerance Value
	Voltage(V)	220 230 240 100 110 120	220 230 240 100 110 120	/
	Frequency(Hz)	50/60	50/60	/
	Input (W)	200	400	±10%
	Max Vacuum	12	14	-5%
	Max Air	1.2	1.6	-8%
	Temp.Rise(K)	<75	<75	/
	Noisy(dB)	90	92	/
	Sparkle Grade	<2 Level	<2 Level	/
	Insulation Grade	B	B	/
	Max Eff.(%)	32	32	-10%



Specification	Model	TW-120	Tolerance Value
	Voltage(V)	220 230 240 100 110 120	/
	Frequency(Hz)	50/60	/
	Input (W)	500	±10%
	Max Air Quantity(m3/min)	2.2	-8%
	Temp.Rise(K)	<75	/
	Noisy(dB)	93	/
	Sparkle Grade	<2 Level	/
	Insulation Grade	B	/
	Max Eff.(%)	32	-10%